

NOTES:

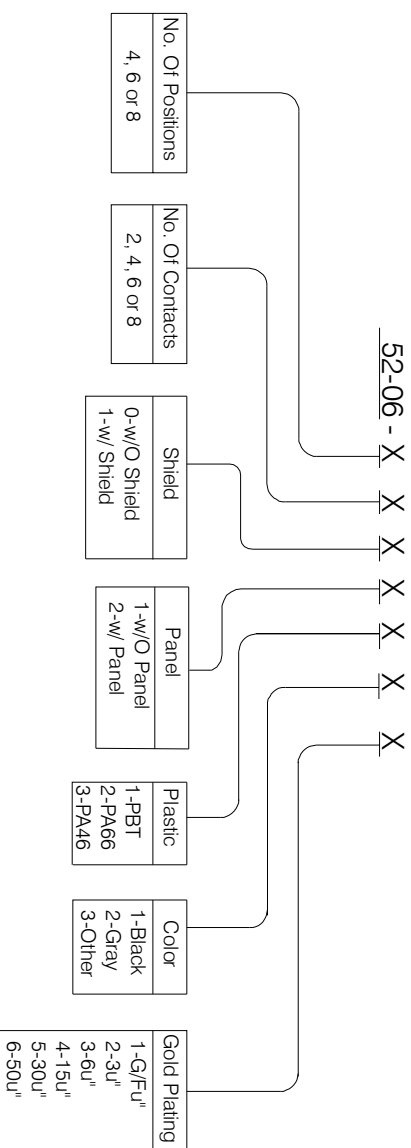
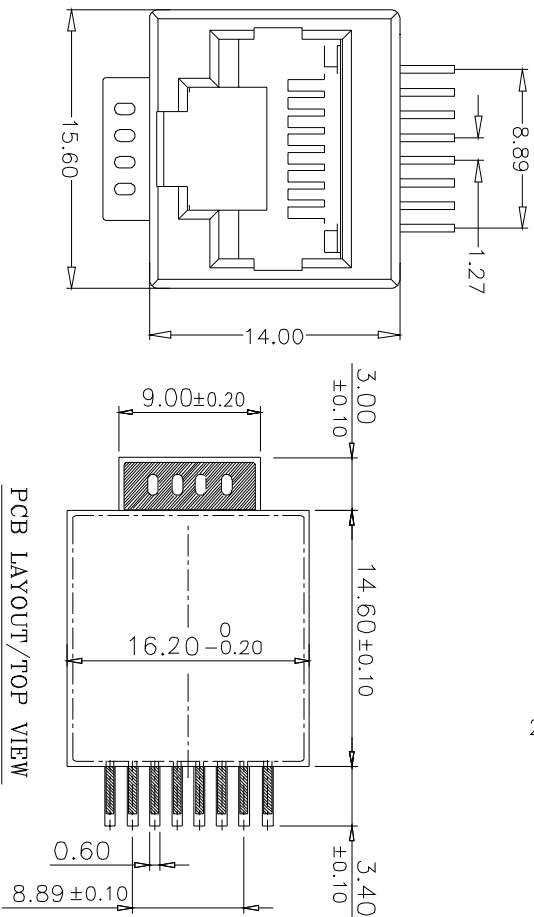
MATERIAL:

1. HOUSING MATERIAL
2. CONTACT MATERIAL

:PBT PA66, PA46(UL 94V-0)
 :FLAT PINS-0.35mm THICKNESS PHOSPHOR BRONZE;
 :GOLD PLATING OVER NICKEL IN CONTACT AREA;
 :TIN PLATING OVER NICKEL IN SOLDER AREA

ELECTRICAL/PHYSICAL:

1. VOLTAGE RATING :125 VAC RMS
2. CURRENT RATING :1.5 AMP
3. CONTACT RESISTANCE :30 MILLIOHMS MAX2
4. INSULATION RESISTANCE :500 MEGOHMS MIN @500V DC
5. DIELECTRIC WITHSTANDING RISTANCE :1000V AC RMS 60Hz 1MIN
6. DURABILITY :750 CYCLES MIN
7. TEMPERATURE :-40 ° C/+85° C



NOT SCALED DRAWING
 TOLERANCE UNLESS OTHERWISE NOTICE

SIDE ENTRY PCB JACK

THIRD ANGLE PROJECTION

LINEAR
 MM INCH

INCH

MM

DR. Nina
 CKD Jack
 APPD Jack

DATE
 MAY-06-12
 MAY-06-12
 MAY-06-12

HENGLIAN ELECTRONIC TECHNOLOGY CO., LTD

恒连电子科技有限公司

<http://www.chinarj45.com>

DWG. NO.

HL012052050

ANGLE+0° 30'

RADIL

MM

Jack

MAY-06-12