

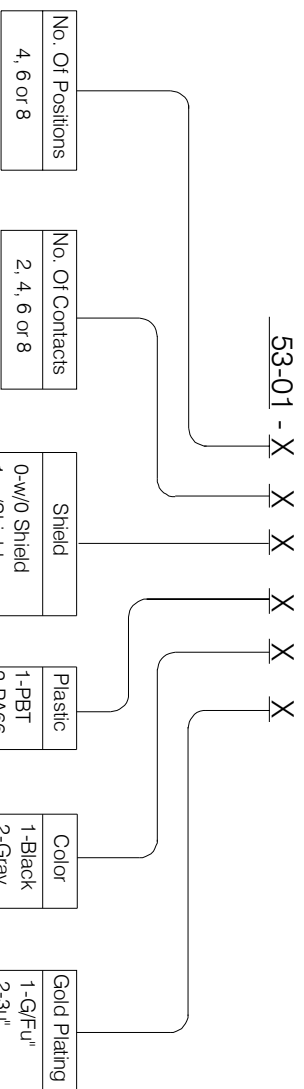
NOTES:

MATERIAL:

- 1. HOUSING MATERIAL :PBT PA66,PA46(UL 94V-0)
- 2. CONTACT MATERIAL : ROUND PINS-0.46mm DIAMETER PHOSPHOR BRONZE; GOLD PLATING OVER NICKEL

ELECTRICAL/PHYSICAL:

- 1. VOLTAGE RATING :125 VAC RMS
- 2. CURRENT RATING :1.5 AMP
- 3. CONTACT RESISTANCE :30 MILLIOHMS MAX2
- 4. INSULATION RESISTANCE :500 MEGOHMS MIN @500V DC
- 5. DIELECTRIC WITHSTANDING RISISTANCE :1000V AC RMS 60Hz 1MIN
- 6. DURABILITY :750 CYCLES MIN
- 7. TEMPERATURE :-40 ° C/+95° C



53-01 - X X X X

SIDE ENTRY PCB JACK	NOT SCALED DRAWING	TOLERANCE UNLESS OTHERWISE NOTICE	INCH	MM	DR.	DATE	HENGLIAN ELECTRONIC TECHNOLOGY CO., LTD 恒连电子科技有限公司 http://www.chinarj45.com
	THIRD ANGLE PROJECTION	LINEAR	MM INCH	MM INCH	Nina Jack	MAY-06-12 MAY-06-12	
DWG. NO.	MM INCH	ANGLE+0° 30'	RADIL	+0.45 -0.15	APPD Jack	MAY-06-12	
HL012052019							