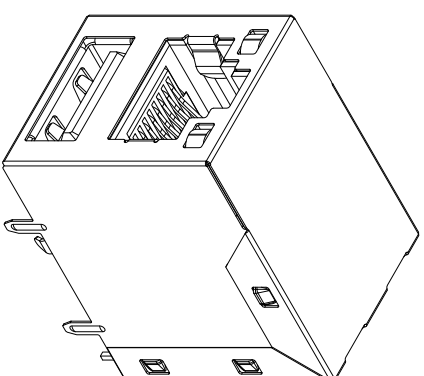


- NOTE:
- MATERIAL:
    - HOUSING: (HIGH TEMP.)THERMOPLASTIC UL94V-0 BLACK
    - CONTACT: COPPER ALLOY
    - SHELL: COPPER ALLOY
  - FINISH:
    - CONTACT: GOLD PLATED OVER
    - SHELL: NICKEL PLATING OVERALL
  - LED1: GREEN
  - LED2: YELLOW
  - PART NO. DESCRIPTION:

**RJ45+USB - X X X**

LED TYPE	Plastic	Gold Plating
0-W/O LED	1-PBT	1-G/F/U"
1-Y/G	2-PA66	2-3U"
2-G/Y	3-PA46	3-6U"
3-R/G		4-15U"
4-G/R		5-30U"
5-Y/Y		6-50U"
6-G/G		
7-Other		



RECOMMENDED P.C.B. LAYOUT  
TOP VIEW (COMPONENT SIDE)

NOT SCALED  
DRAWING

TOLERANCE UNLESS  
OTHERWISE NOTICE

INCH

MM

DR.

Nina

DATE

HENGLIAN ELECTRONIC TECHNOLOGY CO., LTD

RJ45+USB2.0+LED

THIRD ANGLE PROJECTION

LINEAR

INCH

MM

CKD

Jack

MAY-06-12

DWG. NO.

HL012052196

MM  
INCH

ANGLE+0° 30'

RADIL

MM

APPD

Jack

MAY-06-12

恒连电子科技有限公司  
<http://www.chinarj45.com>